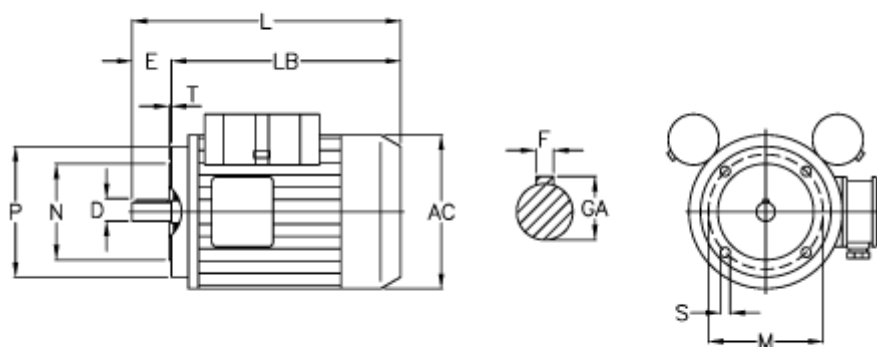


Article number: 25075665002

Description: ICME Single-phase motor MD90 L6 0,75KW  
6 - 900 rpm 1x230 Volt 50Hz B14 with starting & running capacitor

## Measures



|          |         |
|----------|---------|
| AC = 176 | M = 115 |
| D = 24   | N = 95  |
| E = 50   | P = 140 |
| F = 8    | S = M8  |
| GA = 27  | T = 3   |
| HB = 129 | Z = 246 |
| L = 366  |         |
| LB = 316 |         |